



The all-in-one contactless,
contact & swipe card reader

More Convenience. More Sales.

Give your customers
the flexibility to pay
any way they choose

Accept all forms of cashless payment

- ▶ Debit and Credit Cards
- ▶ Mobile, SMS and NFC Payments
- ▶ Swipe, Contact or Contactless
- ▶ Prepaid cards, closed environment



1

Part of a complete unattended solution

- ▶ Seamless integration with telemetry, cashless clearance, monitoring, management and BI
- ▶ Secure, durable, reliable

2

Communicate with your consumers

- ▶ Voice interaction with the consumer in the local language
- ▶ Two languages can be displayed on the VPOS

3

Plug and play

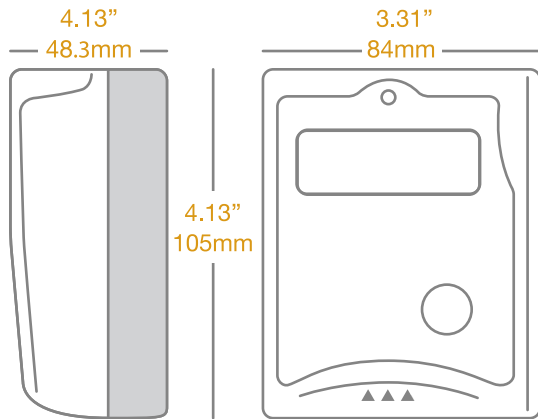
- ▶ Easy to install
- ▶ Simple to use
- ▶ Compatible with all automated machine standards
- ▶ Remote software updates



Executive Plaza 1, 11350 McCormick Road, Suite 1004, Hunt Valley, Maryland 21031
www.nayax.com | (410) 666-3800 | info@nayax.com



The all-in-one contactless,
contact & swipe card reader



VPOS is part of Nayax's complete payment solution for unattended automated machine operators.

Using Nayax, machine operators all over the world are able to accept all forms of payment, with easy installation, clearance, monitoring and management.

Supported Payment Schemes

Contact Card: EMV Level 1 + Level 2 - Certified

Contactless: EMV Level 1 - Certified

Contactless: EMV Level 2:

Visa PayWave MSD + qVSDC

MasterCard PayPass Mag Stripe

Magnetic Stripe Card - ISO7811, Track 1 + Track 2

Other Cards Supported: NFC, MIFARE, HID-iClass

Support of Payment Applications - Global and Local Environment

Technical Information

Interface communication - RS232 up to 115,200 kbps

2 X 16 Character LCD display + 4 LEDs + Buzzer + Speaker

Transaction start/end button

Power Supply: 8 Volt DC - 16 Volt DC

Security - Support of DES, 3DES, AES, RSA, SHA1 algorithms

On-board SAM: EMV/HID support

RF contactless Interface: Frequency - 13.56 MHz,
MIFARE, NFC, HID

Physical Dimensions

H	4.13"	105mm
W	3.31"	84mm
D	1.9"	48.3mm
Weight	8.11 ounces	230 grams

Regulatory Compliance

EMVco Level 1 + Level 2

CE + FCC + RoHS

Operating Conditions

Temperature	-30°C - 50°C	-22°F - 122°F
Humidity	5% - 95% (non-condensing)	

Storage Conditions

Temperature	-40°C - 60°C	-40°F - 140°F
Humidity	5% - 95% (non-condensing)	

Standards

ISO 7816 Contact Smart Card, approved by EMVco

ISO 14443 Type A and B, approved by EMVco

ISO 15693

Get Nayax for greater revenue,
reduced expenses and higher profits.

Contact us today to learn more.

Executive Plaza 1, 11350 McCormick Road, Suite 1004, Hunt Valley, Maryland 21031

www.nayax.com | (410) 666-3800 | info@nayax.com